

Product Name: Slim Square LED Panel Light 3W

Product Code: K01-0190



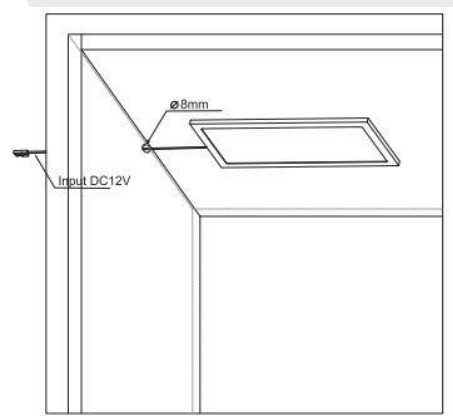
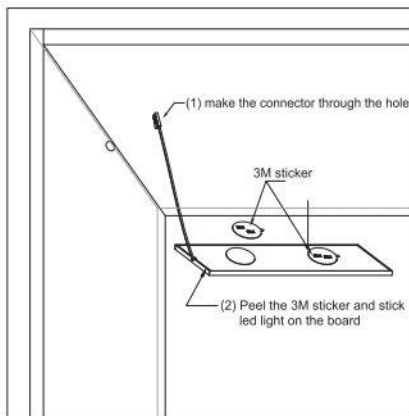
Kit Contents

- LED cabinet light with micro connector

Important Safety Information

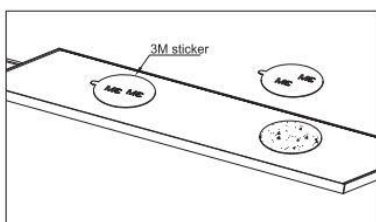
Installation should only be carried out by a qualified electrician.
Do NOT connect directly to the mains supply.

Installation



- 1 Create a 8mm diameter hole for the connector cable to reach the LED driver.

- 2 Thread the connector through a hole to the LED driver.



- 3 Peel the 3M VHB sticker.

- 4 Stick the LED light onto the board.

- 5 Connect driver to 240V power supply (driver may not be supplied with lights)

Product Name: Slim Square LED Panel Light 3W

Product Code: K01-0190



Other Information

Specification:

Size: 100x100x5.3mm

Work voltage: DC12V

Power: 3W

Colour: White

Lighting colour: Warm White/ Natural White

Installation: Using 3M VHB sticker

Material: Aluminium alloy + light guide plate

Application: Kitchen, closet, shelf

Advantage: Save energy, longevity, non-flicker

Main adapter wiring diagram:-

