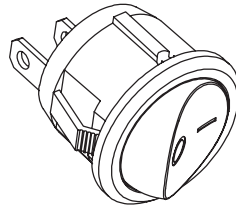


Mechanical Switch



N28-0008

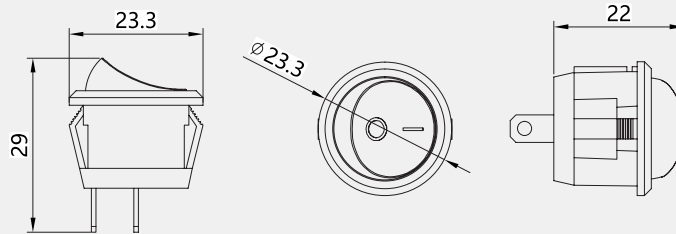
Important Safety Information

- For indoor use only.
- Do not disassemble the product.
- Do not install the switch in zones 0, 1 or 2

Maintenance

- The external flexible cable or cord of this luminaire cannot be replaced; if the cord is damaged, the luminaire shall be destroyed. Different materials require different types of fittings. Always choose screws and plugs that are specially suited to the material.
- Use a dry cloth, never a strong cleaning agent
- Dust-proof, against solid things and waterproof level: IP20 (Ref.EN 60529-EN 60598-1)

Dimensions

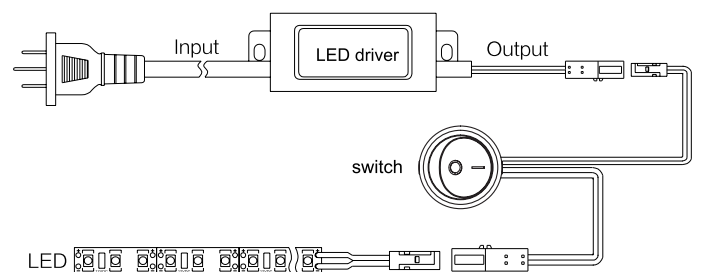
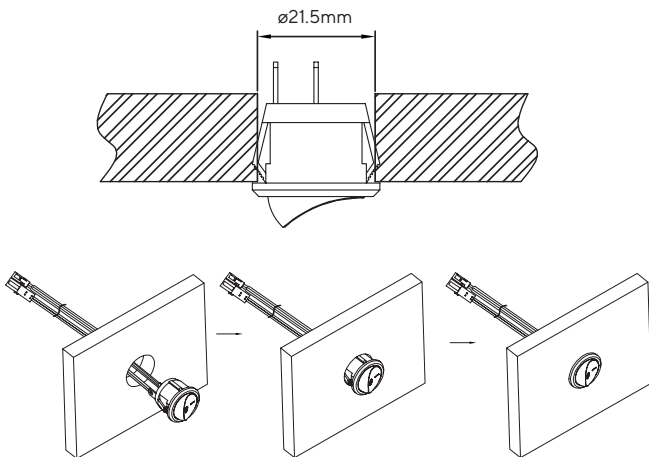


Technical Parameters

Power supply	DC.12V/DC.24V
Max Wattage	60W
Operating Temperature	-20 - +50°C
Dimensions	23.3mm x 29mm
Cable Length	1800mm
Installation Method	Recessed
Colour	Black
Dust-proof, against solid things and waterproof level	IP20 (Ref.EN 60529-EN 60598-1)

Installation

- Mounting (cable channel needed) before mounting, make a blind hole with size info as below: diameter 21.5mm



For further details, prices and/or to order contact
 +44 (0)1302 741941 | sales@tlwglobal.com | tlwglobal.com

TLW Brunel House, Brunel Close, Harworth, Doncaster, South Yorkshire, DN118QA