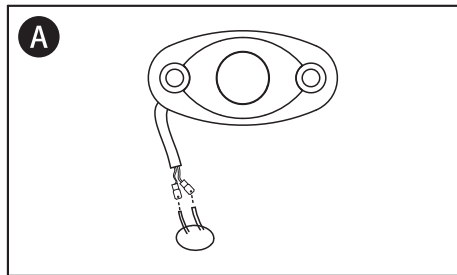


9-16V outdoors product.  
 Installation should only be carried out by an qualified electrician.  
 Locate the light fitting to the desired position and fix using the screws provided.  
 Fig 2. Connect positive + and Negative- to the correct control gear.  
 Do NOT connect directly to the mains supply.

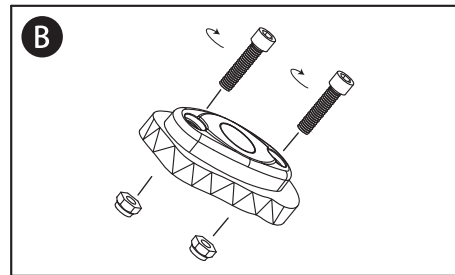


This product may contain substances that can be Hazardous to the Environment if not disposed of properly. Electrical & Electronic equipment should never be disposed of with household waste.

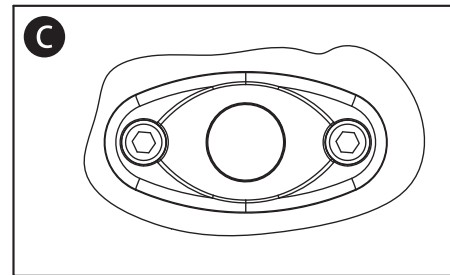
**RECESSING**



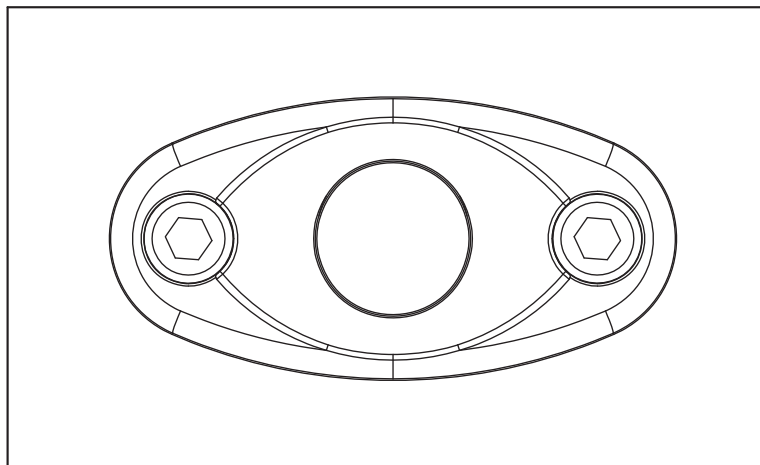
**A**  
Connect positive + and Negative- to the correct control gear.



**B**  
Feed the attached cable through the cut



**C**  
Complete



Product Code:  
 K00-0088D  
 LED  
 MAX 4.5W  
 9-16V



**THE LIGHTWORKS**  
 Brunel House  
 Brunel Close  
 Harworth  
 Doncaster  
 DN11 8QA  
 TEL.:+44(0) 1302 741 941  
 E-mail:sales@the-lightworks.com  
 Website:www.the-lightworks.com