

Product Name: 100MM SHOWER FAN EXTRACTOR WITH TIMER

Product Code: S02-4110

Important Safety Information:

- Turn off and isolate the electrical supply before connecting this fitting to the building wires.
 - Must be installed or connected by a licensed electrician.
 - Precautions must be taken to avoid the back-flow of gases into the room from open flue of gases or other open fire-appliances when mounted in outside windows or walls.
 - The fan must be disconnected from the electrical power before any maintenance is carried out,
-

Installation instructions:

Before Installation

For best results this fan should be fitted as high on the wall as possible, or on the ceiling.

DO NOT install the fan within a shower cubicle.

This fan is double insulated and does not require an earth.

When installing fan through an external wall, an external wall grille must be fitted.

Installation

Cut a suitable diameter hole. Recommended sizes for plaster board fixing with fixing clips are: 100 = Ø115mm; for all other surfaces 100 = Ø110mm. If the fan is to be fixed in the ceiling ensure that the hole is between the joists.

Remove the cover from the fan by twisting the front cover anti-clockwise.

Hold the body of the fan against the wall or ceiling and mark the four screw holes and the cable entry on the side. Use the fixing clips to secure the fan in panel walls and ceilings – see figure 1a.

IMPORTANT: Ensure that the fan is square on wall or ceiling.

Bring the power cable into position, as marked. Allow an extra 230mm (9") protruding to facilitate connection.



Product Name: 100MM SHOWER FAN EXTRACTOR WITH TIMER

Product Code: S02-4110

Wiring:

NOTE: All wiring must be fixed securely and the cable to the fan should be a minimum of 1mm² in section. All wiring must comply with current IEE Regulations. If in any doubt contact a qualified electrician.

Electrical Connections: Timer model

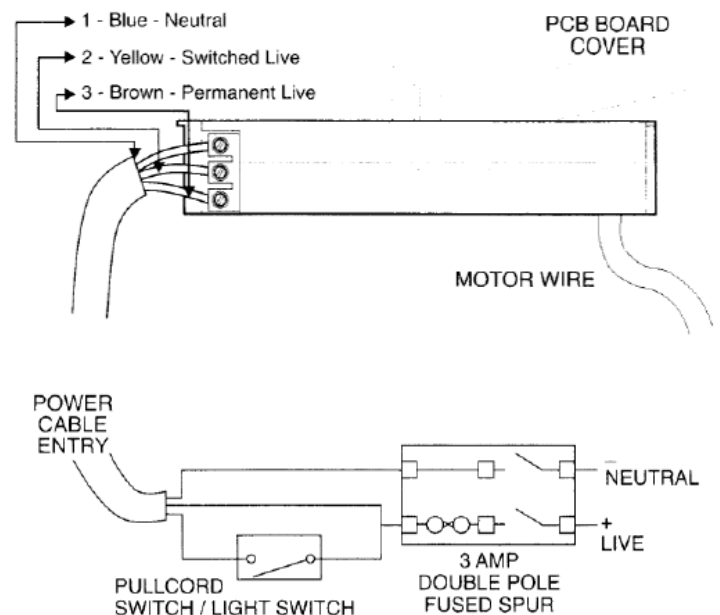
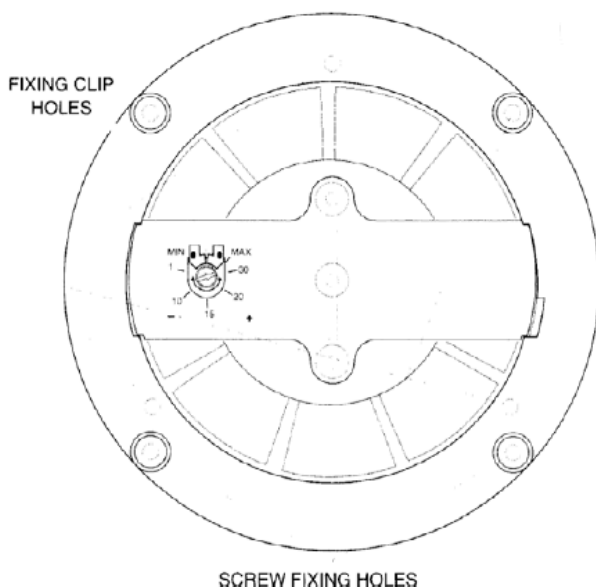
Remove the internal cover by removing the 2 small caps and retaining crosshead screws to access the terminal connections.

The fan can either be operated from a separate pullcord switch fitted to the ceiling of the room or can be connected to the light switch so that the fan will start when the light is switched on.

A double pole fused spur having a contact separation of at least 3mm in all poles must be used and fitted with a 3 Amp fuse, and should be sited outside any room containing a shower or fixed bath.

The fan should not be accessible to a person using either the shower or the bath.

Top View

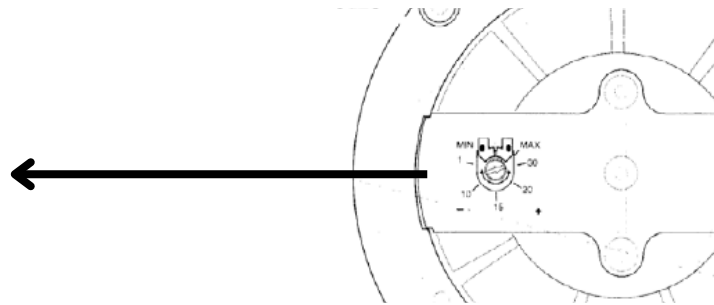
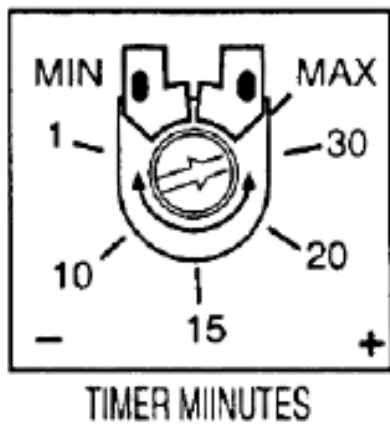


Product Name: 100MM SHOWER FAN EXTRACTOR WITH TIMER

Product Code: S02-4110

Adjustment:

DETAILED VIEW
Only adjust with power switched off



TECHNICAL SUPPORT:

Tel: 01302 741944 Email: vent.tech@tlwglobal.com

Opening Hours: 9am - 5pm Monday - Friday