

**Product Name:** 100MM AXIAL IN-DUCT FAN KIT WITH TIMER

**Product Code:** S02-4171\*

## Important Safety Information:

- Turn off and isolate the electrical supply before connecting this fitting to the building wires.
- Must be installed or connected by a licensed electrician.
- Precautions must be taken to avoid the back-flow of gases into the room from open flue of gases or other open fire-appliances when mounted in outside windows or walls.
- The fan must be disconnected from the electrical power before any maintenance is carried out,

## Installation:

When installing this fan's ducting through an external wall, an external wall grille must be fitted at all times.

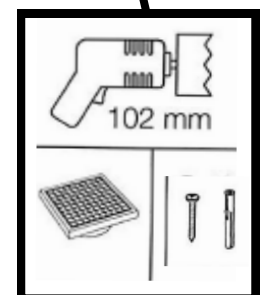
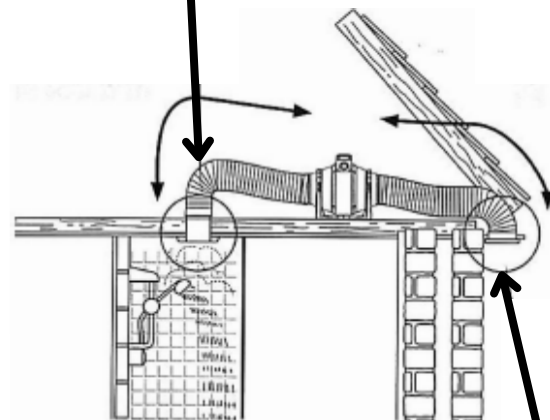
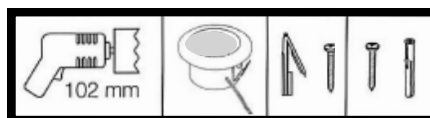
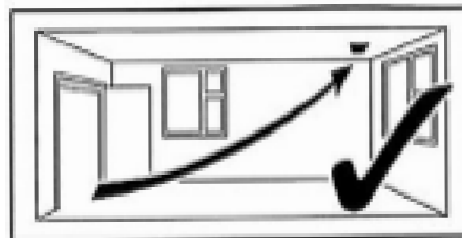
This fan should be fitted to ducting with a minimum duct length of at least 500 millimetres both sides of the fan.

Where ducted fans are used to handle moisture laden air, such as a bathroom, a condensation trap should be fitted in any vertical exhaust ducts.

When using flexible ducting, ensure it is pulled taut. All ducting should be angled towards the external grille.

Ducting passing through cold voids should be insulated.

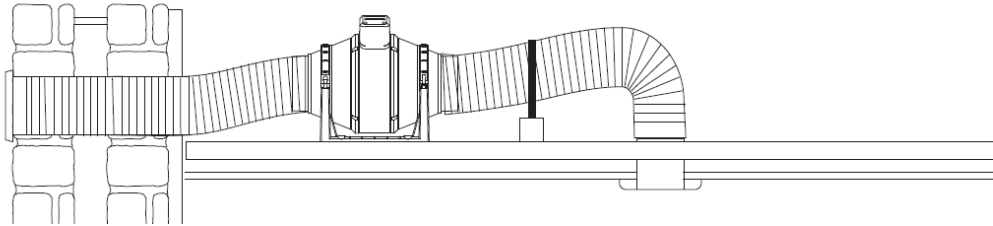
If the fan and duct extract grille is installed in a room containing a fuel burning appliance, the installer must ensure that the air replacement is adequate for both the fan and the fuel burning appliance.



**Product Name:** 100MM AXIAL IN-DUCT FAN KIT WITH TIMER

**Product Code:** S02-4171\*

## Installation:



Always support flexible ducting to stop sagging.

Supports every 400mm are advised.

Flexible ducting must be pulled/extended to a minimum of 90% of it's total length.

Ducting must not be compressed or restricted and should be installed in straight lines where possible.

A maximum of 1.5m (1500mm) of flexible ducting should be used in order to adhere with building regulations Part F Volume 1: Dwellings



## Wiring

Switch off mains supply before making electrical connections. If in any doubt contact a qualified electrician.

These units are for fixed wiring only. A flexible cord must not be used. All wiring must be fixed securely and the cable to the fan should be a minimum of 1mm<sup>2</sup> in section. All wiring must comply with current I.E.E. Regulations or local regulations if outside the UK.

A double pole fused spur having contact separation of at least 3mm in all pole must be used and fitted with a 3A fuse.

This fan is double insulated and does not require an earth connection.

The fan should not be accessible to a person using either the shower or the bath.

Do not turn power on until fan kit is fully installed.



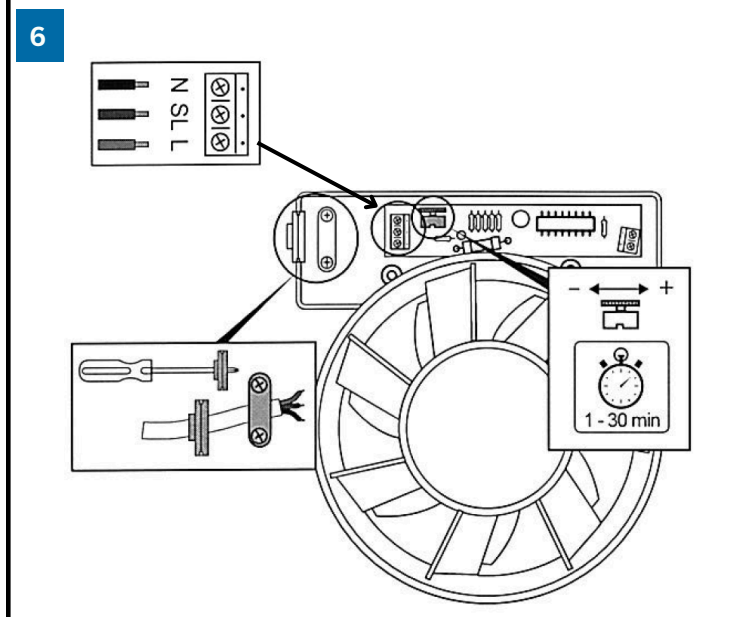
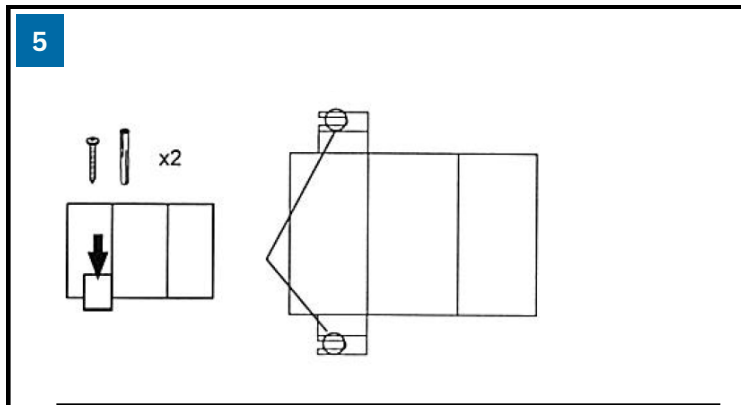
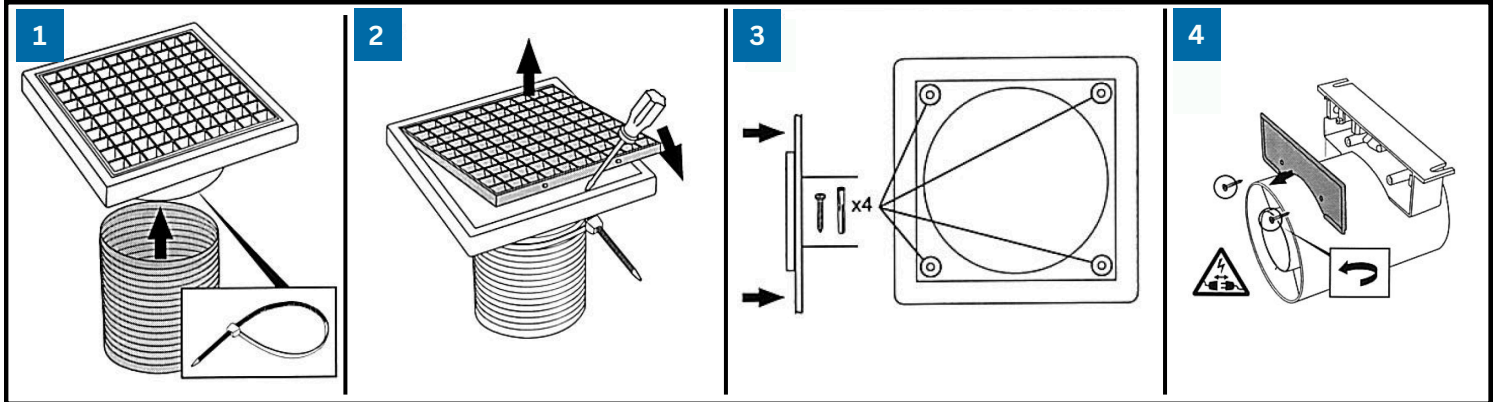
# INSTALLATION GUIDE



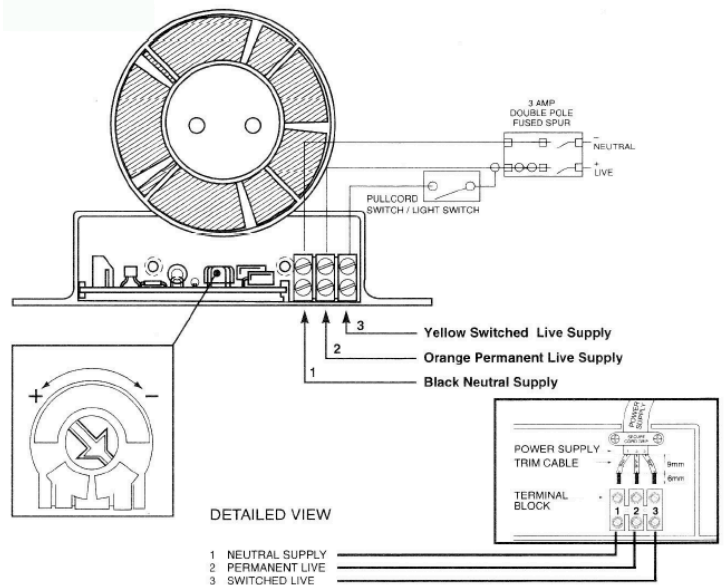
**Product Name:** 100MM AXIAL IN-DUCT FAN KIT WITH TIMER

**Product Code:** S02-4171\*

## Installation:



## Wiring Diagram



+44 (0) 1302 741941 | [sales@tlwglobal.com](mailto:sales@tlwglobal.com) | [tlwglobal.com](http://tlwglobal.com)

TLW Global Brunel House, Brunel Close, Harworth, Doncaster, DN11 8QA

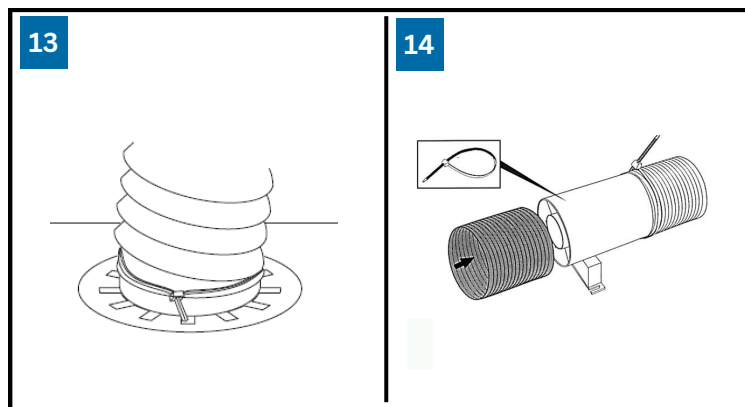
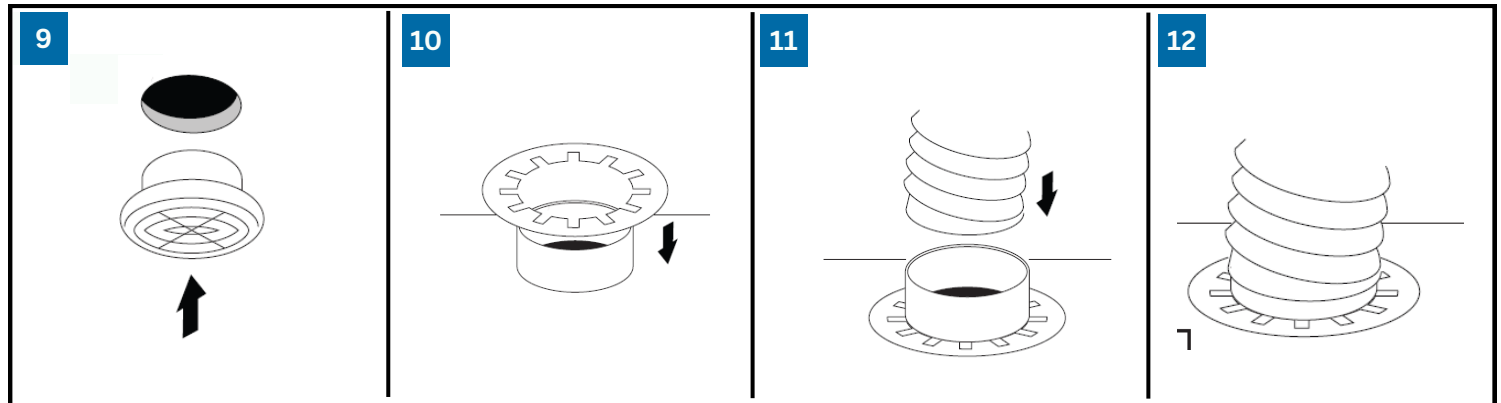
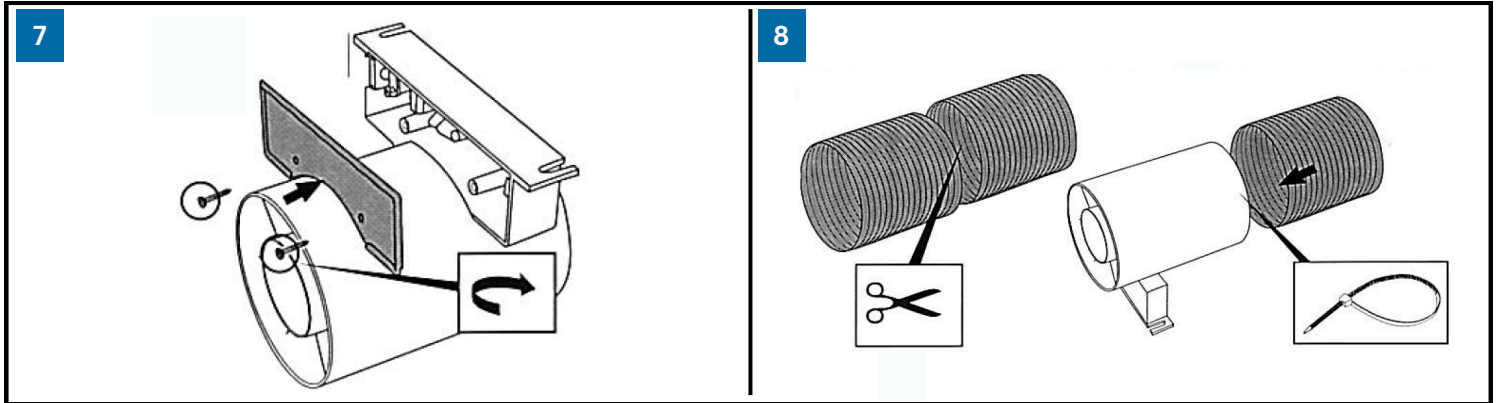
# INSTALLATION GUIDE



**Product Name:** 100MM AXIAL IN-DUCT FAN KIT WITH TIMER

**Product Code:** S02-4171\*

## Installation:



## TECHNICAL SUPPORT:

Tel: 01302 741944 Email: [vent.tech@tlwglobal.com](mailto:vent.tech@tlwglobal.com)

Opening Hours: 9am - 5pm Monday - Friday



+44 (0) 1302 741941 | [sales@tlwglobal.com](mailto:sales@tlwglobal.com) | [tlwglobal.com](http://tlwglobal.com)

TLW Global Brunel House, Brunel Close, Harworth, Doncaster, DN11 8QA