

Product Name: 100MM IN-DUCT MIXED FLOW KIT WITH TIMER

Product Code: S14-4220

Important Safety Information:

- Turn off and isolate the electrical supply before connecting this fitting to the building wires.
- Must be installed or connected by a licensed electrician.
- Precautions must be taken to avoid the back-flow of gases into the room from open flue of gases or other open fire-appliances when mounted in outside windows or walls.
- The fan must be disconnected from the electrical power before any maintenance is carried out,

Installation:

Location

When installing this fan's ducting through an external wall, an external wall grille must be fitted.

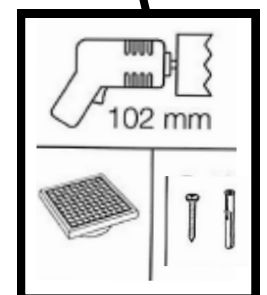
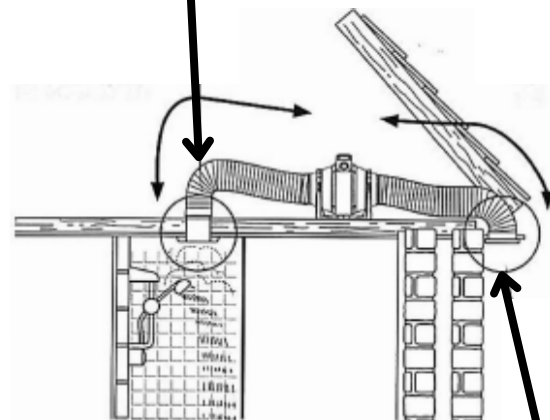
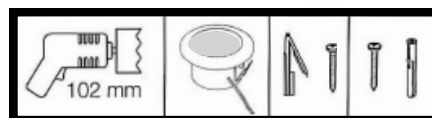
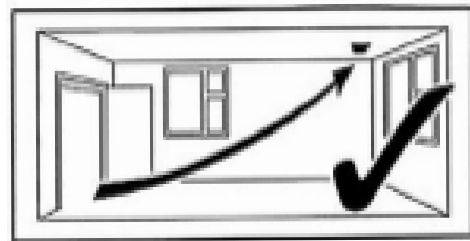
This fan should be connected to ducting with a minimum duct length of at least 500 millimetres both sides of the fan.

Where ducted fans are used to handle moisture laden air, such as a bathroom, a condensation trap should be fitted in any vertical exhaust ducts.

When using flexible ducting, ensure it is pulled taut. All ducting should be angled towards the external grille and away from the fan.

Ducting passing through cold voids should be insulated.

If the fan and duct extract grille is installed in a room containing a fuel burning appliance, the installer must ensure that the air replacement is adequate for both the fan and the fuel burning appliance.



Product Name: 100MM IN-DUCT MIXED FLOW KIT WITH TIMER

Product Code: S14-4220

Installation:

Wiring

Switch off mains supply before making electrical connections. If in any doubt contact a qualified electrician.

These units are for fixed wiring only. A flexible cord must not be used. All wiring must be fixed securely and the cable to the fan should be a minimum of 1mm² in section. All wiring must comply with current I.E.E. Regulations or local regulations if outside the UK.

A double pole fused spur having contact separation of at least 3mm in all poles must be used and fitted with a 3A fuse.

This fan is double insulated and does not require an earth connection.

The fan should not be accessible to a person using either the shower or the bath.

Do not turn power on until fan kit is fully installed.



TECHNICAL SUPPORT:

Tel: 01302 741944 Email: vent.tech@tlwglobal.com

Opening Hours: 9am - 5pm Monday - Friday

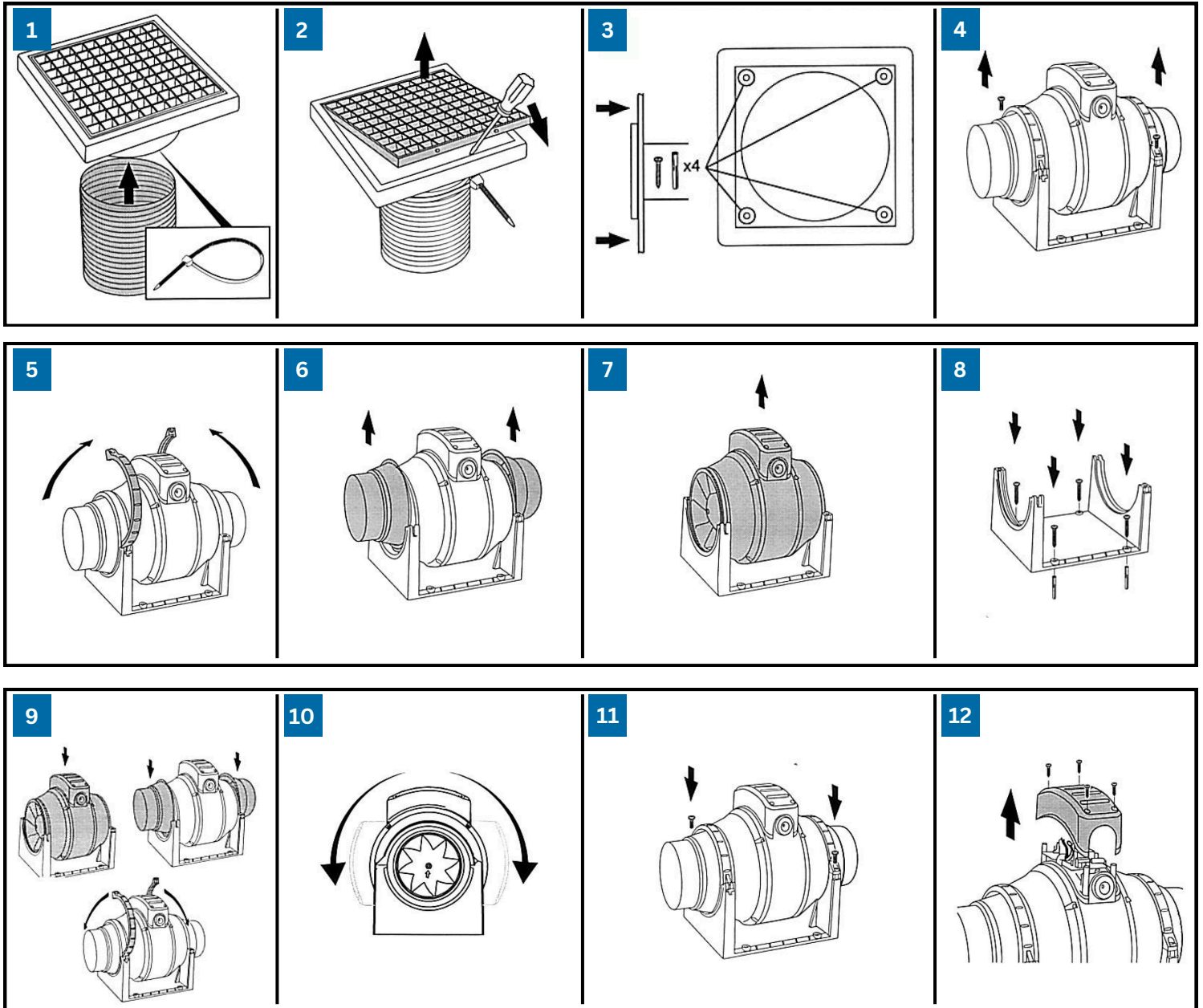
INSTALLATION GUIDE



Product Name: 100MM IN-DUCT MIXED FLOW KIT WITH TIMER

Product Code: S14-4220

Installation:



+44 (0) 1302 741941 | sales@tlwglobal.com | tlwglobal.com

TLW Global Brunel House, Brunel Close, Harworth, Doncaster, DN11 8QA

Product Name: 100MM IN-DUCT MIXED FLOW KIT WITH TIMER

Product Code: S14-4220

Installation:

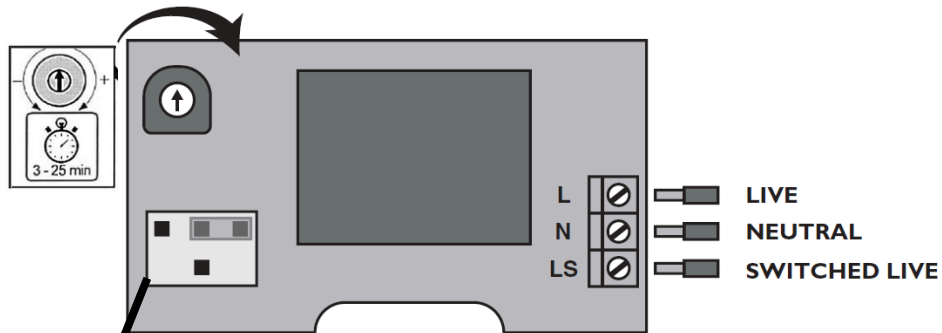
13

TIMER MODELS - LIVE, NEUTRAL & SWITCHED LIVE



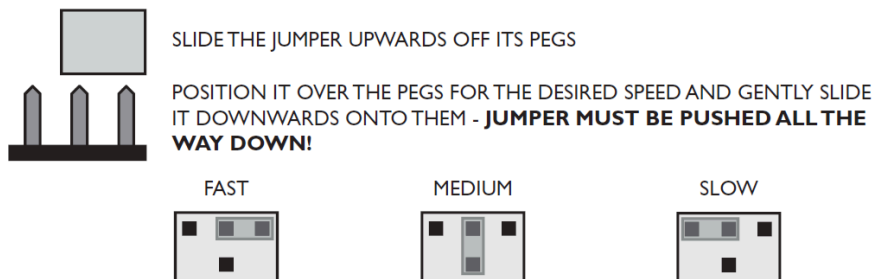
TO ADJUST OVER-RUN TIME - TIMER MODELS ONLY

USE A SMALL SCREWDRIVER TO ROTATE THE ADJUSTER ANTI-CLOCKWISE TO REDUCE THE TIMING, CLOCKWISE TO INCREASE THE TIME



TO CHANGE SPEEDS

WARNING DISCONNECT FAN FROM THE MAINS SUPPLY BEFORE ADJUSTING:



WARNING: If used in conjunction with a speed controller, the fan must be set to high speed only

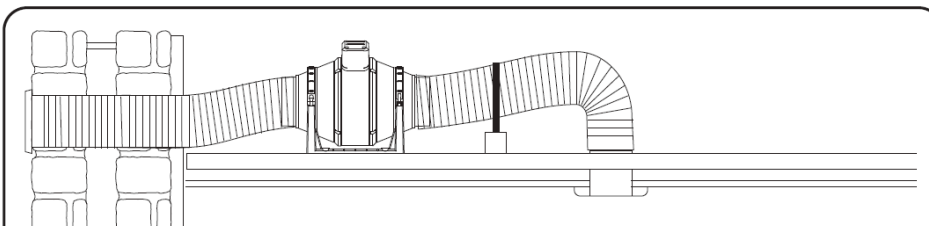
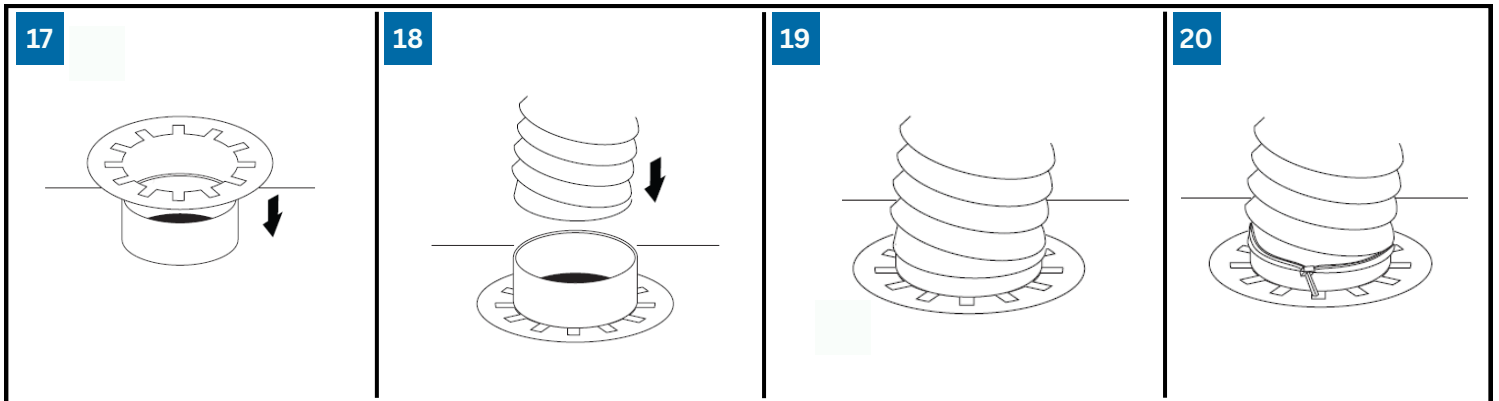
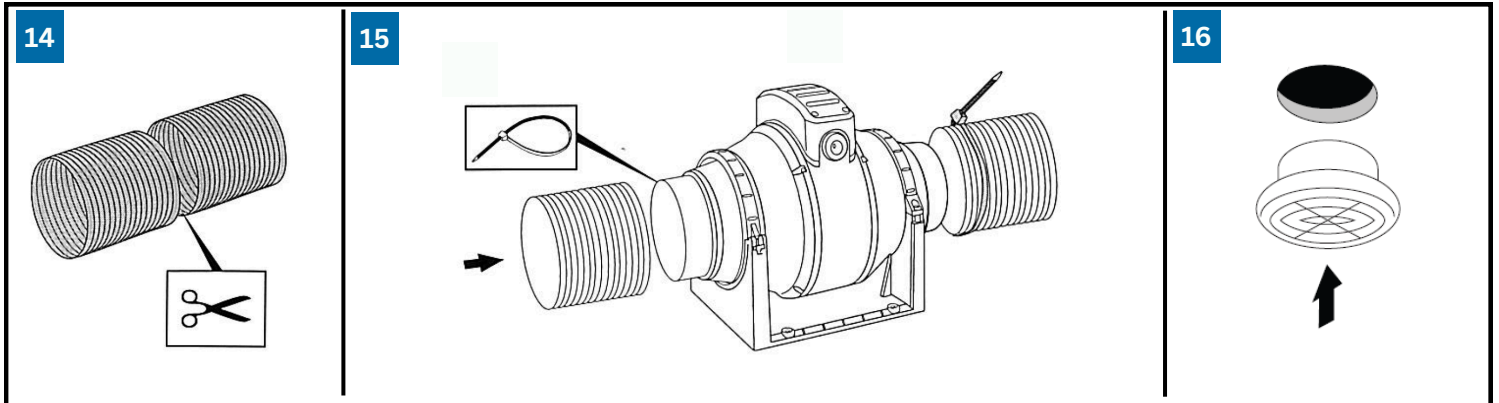
INSTALLATION GUIDE



Product Name: 100MM IN-DUCT MIXED FLOW KIT WITH TIMER

Product Code: S14-4220

Installation:



Always support flexible ducting to stop sagging.
Supports every 400mm are advised.
Flexible ducting must be pulled/extended to a minimum of 90% of it's total length.
Ducting must not be compressed or restricted and should be installed in straight lines where possible.
A maximum of 1.5m (1500mm) of flexible ducting should be used in order to adhere with building regulations Part F Volume 1: Dwellings



+44 (0) 1302 741941 | sales@tlwglobal.com | tlwglobal.com

TLW Global Brunel House, Brunel Close, Harworth, Doncaster, DN11 8QA