

**Product Name:** 100MM MIXED FLOW LED SHOWER LIGHT KIT

**Product Code:** S14-4220\*LEDD

## Important Safety Information:

- Turn off and isolate the electrical supply before connecting this fitting to the building wires.
- Must be installed or connected by a licensed electrician.
- Precautions must be taken to avoid the back-flow of gases into the room from open flue of gases or other open fire-appliances when mounted in outside windows or walls.
- The fan must be disconnected from the electrical power before any maintenance is carried out,

## Installation:

### Location

When installing this fan's ducting through an external wall, an external wall grille must be fitted.

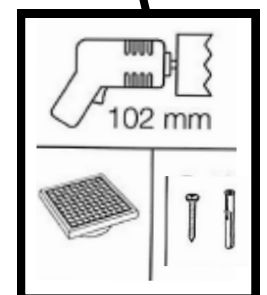
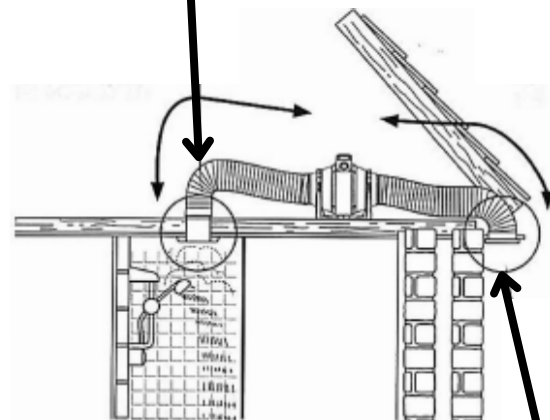
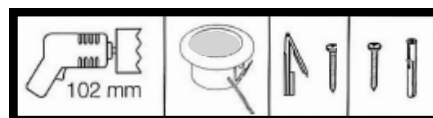
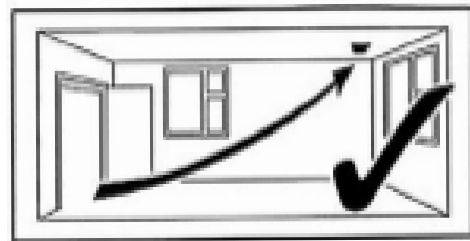
This fan should be connected to ducting with a minimum duct length of at least 500 millimetres both sides of the fan.

Where ducted fans are used to handle moisture laden air, such as a bathroom, a condensation trap should be fitted in any vertical exhaust ducts.

When using flexible ducting, ensure it is pulled taut. All ducting should be angled towards the external grille and away from the fan.

Ducting passing through cold voids should be insulated.

If the fan and duct extract grille is installed in a room containing a fuel burning appliance, the installer must ensure that the air replacement is adequate for both the fan and the fuel burning appliance.



# INSTALLATION GUIDE



**Product Name:** 100MM IN-DUCT MIXED FLOW KIT WITH TIMER

**Product Code:** S14-4220\*LEDD

## Installation:

### Wiring

Switch off mains supply before making electrical connections. If in any doubt contact a qualified electrician.

These units are for fixed wiring only. A flexible cord must not be used. All wiring must be fixed securely and the cable to the fan should be a minimum of 1mm<sup>2</sup> in section. All wiring must comply with current I.E.E. Regulations or local regulations if outside the UK.

A double pole fused spur having contact separation of at least 3mm in all poles must be used and fitted with a 3A fuse.

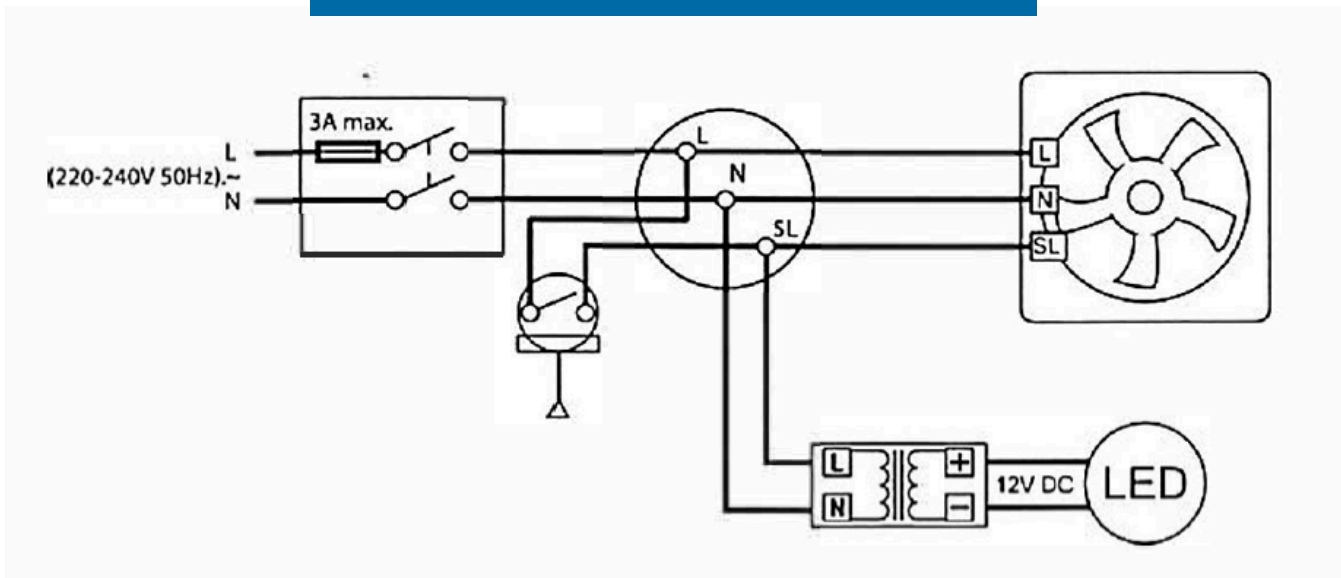
This fan is double insulated and does not require an earth connection.

The fan should not be accessible to a person using either the shower or the bath.

Do not turn power on until fan kit is fully installed.



## WIRING FOR TIMER FANS



+44 (0) 1302 741941 | [sales@tlwglobal.com](mailto:sales@tlwglobal.com) | [tlwglobal.com](http://tlwglobal.com)

TLW Global Brunel House, Brunel Close, Harworth, Doncaster, DN11 8QA

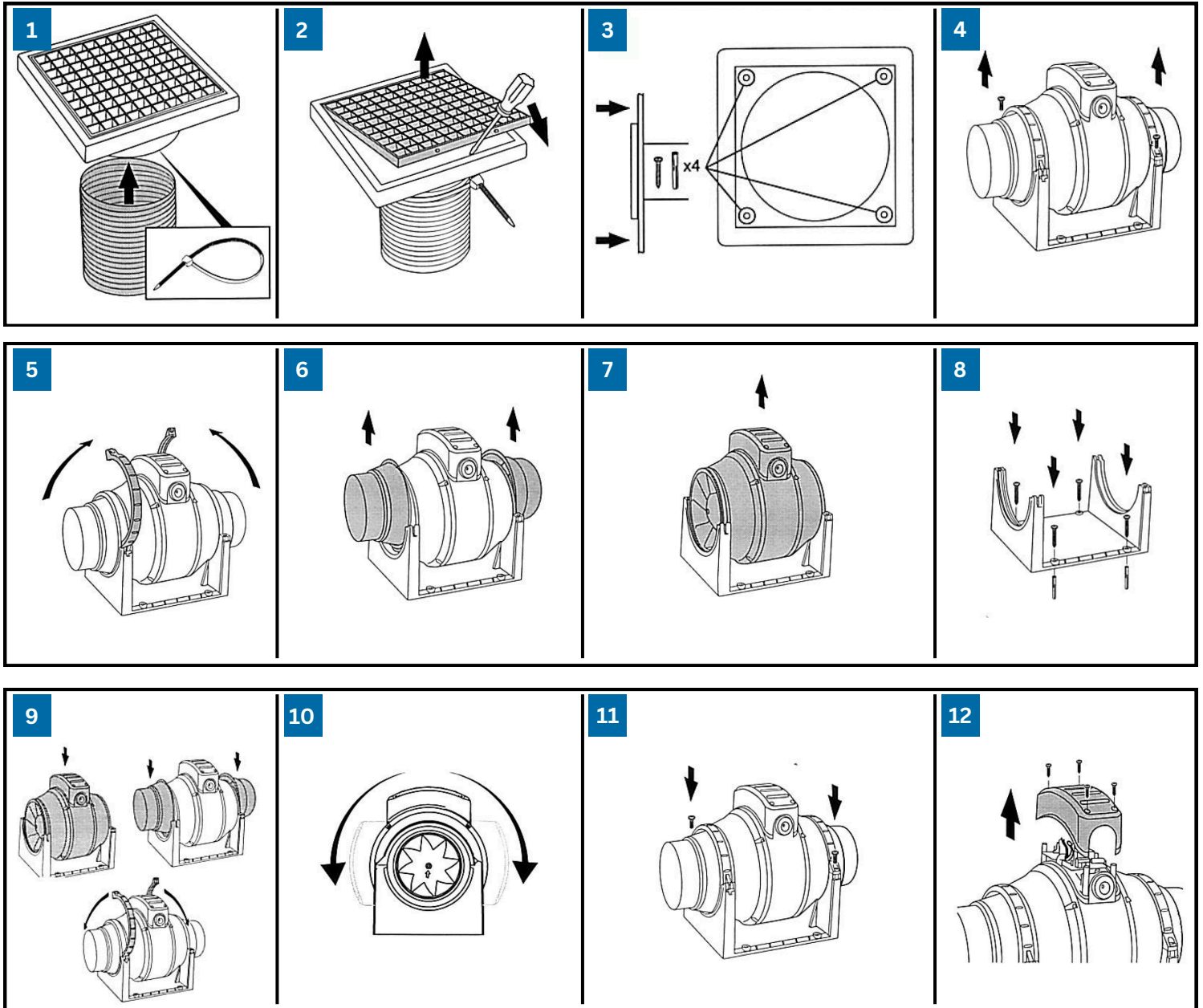
# INSTALLATION GUIDE



**Product Name:** 100MM MIXED FLOW LED SHOWER LIGHT KIT

**Product Code:** S14-4220\*LEDD

## Installation:



+44 (0) 1302 741941 | [sales@tlwglobal.com](mailto:sales@tlwglobal.com) | [tlwglobal.com](http://tlwglobal.com)

TLW Global Brunel House, Brunel Close, Harworth, Doncaster, DN11 8QA

**Product Name:** 100MM MIXED FLOW LED SHOWER LIGHT KIT

**Product Code:** S14-4220\*LEDD

## Installation:

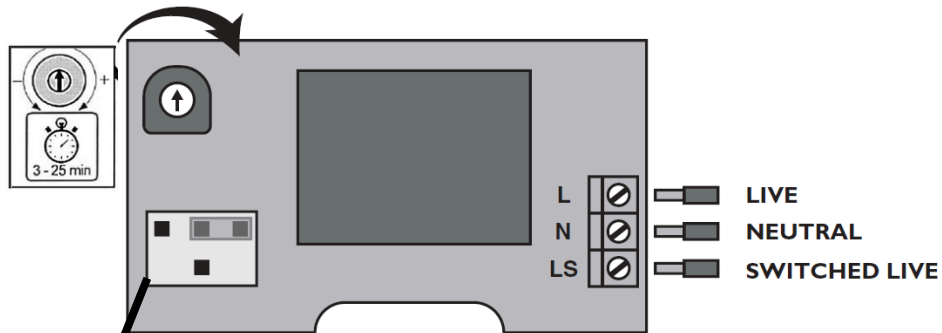
13

### TIMER MODELS - LIVE, NEUTRAL & SWITCHED LIVE



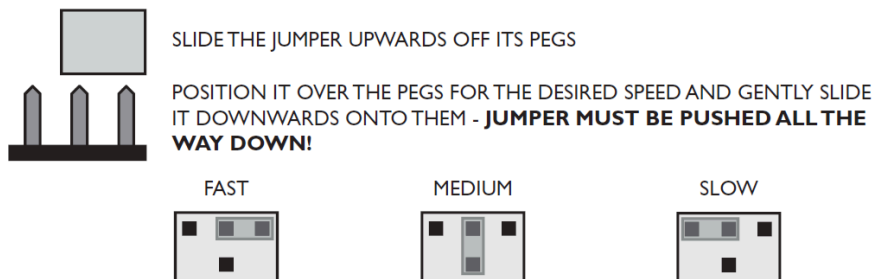
#### TO ADJUST OVER-RUN TIME - TIMER MODELS ONLY

USE A SMALL SCREWDRIVER TO ROTATE THE ADJUSTER ANTI-CLOCKWISE TO REDUCE THE TIMING, CLOCKWISE TO INCREASE THE TIME



#### TO CHANGE SPEEDS

**WARNING DISCONNECT FAN FROM THE MAINS SUPPLY BEFORE ADJUSTING:**



**WARNING:** If used used in conjunction with a speed controller, the fan must be set to high speed only

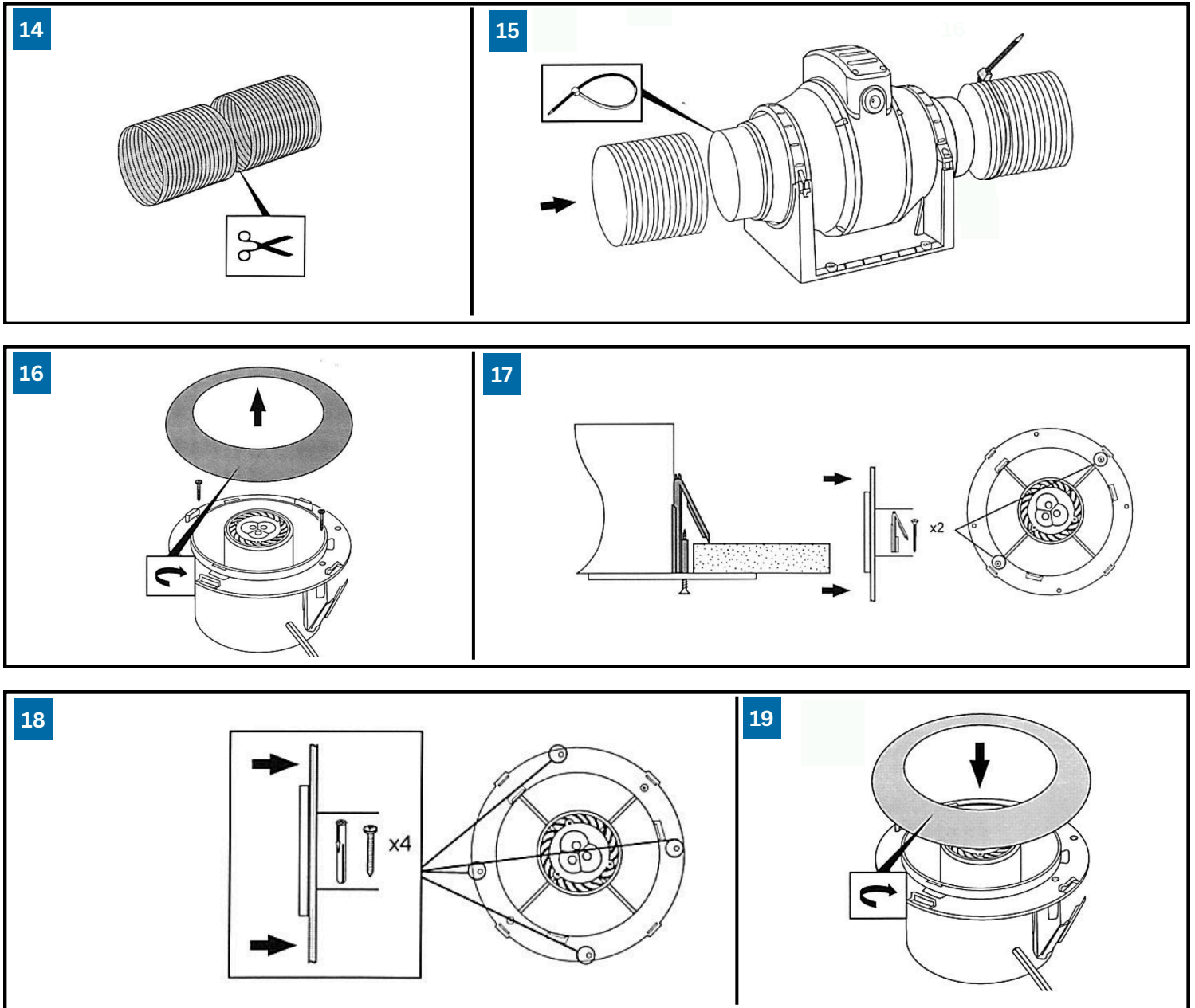
# INSTALLATION GUIDE



**Product Name:** 100MM MIXED FLOW LED SHOWER LIGHT KIT

**Product Code:** S14-4220\*LEDD

## Installation:



+44 (0) 1302 741941 | [sales@tlwglobal.com](mailto:sales@tlwglobal.com) | [tlwglobal.com](http://tlwglobal.com)

TLW Global Brunel House, Brunel Close, Harworth, Doncaster, DN11 8QA

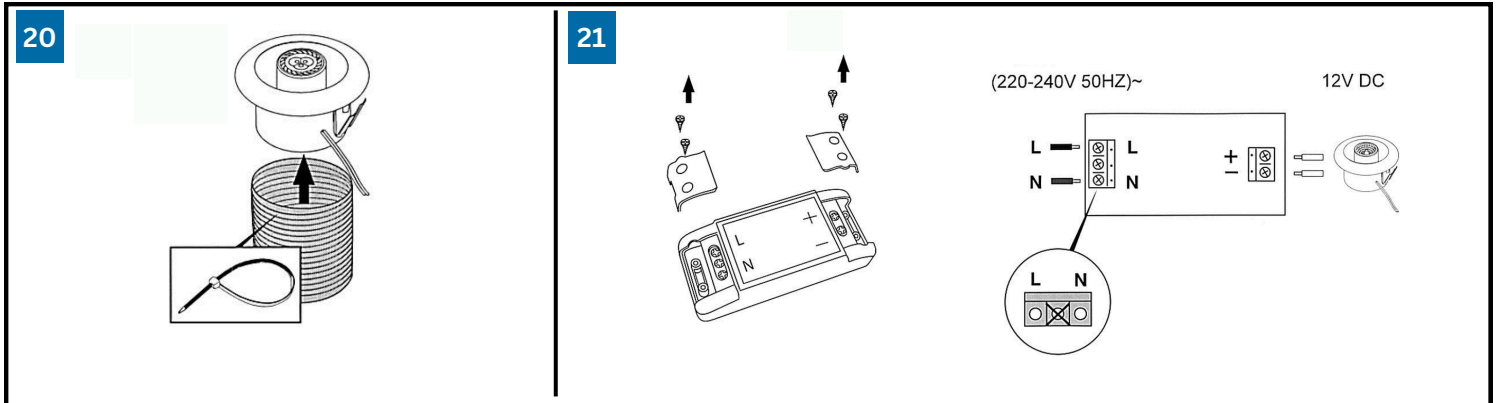
# INSTALLATION GUIDE



**Product Name:** 100MM MIXED FLOW LED SHOWER LIGHT KIT

**Product Code:** S14-4220\*LEDD

## Installation:



## TECHNICAL SUPPORT:

**Tel: 01302 741944 Email: [vent.tech@tlwglobal.com](mailto:vent.tech@tlwglobal.com)**

**Opening Hours: 9am - 5pm Monday - Friday**



**+44 (0) 1302 741941 | [sales@tlwglobal.com](mailto:sales@tlwglobal.com) | [tlwglobal.com](http://tlwglobal.com)**

TLW Global Brunel House, Brunel Close, Harworth, Doncaster, DN11 8QA