

INSTALLATION GUIDE

Product Name: GLEAM IP IP66 Recessed Side Bend LED Tape

Product Code: K30-1240*



Kit Contents:

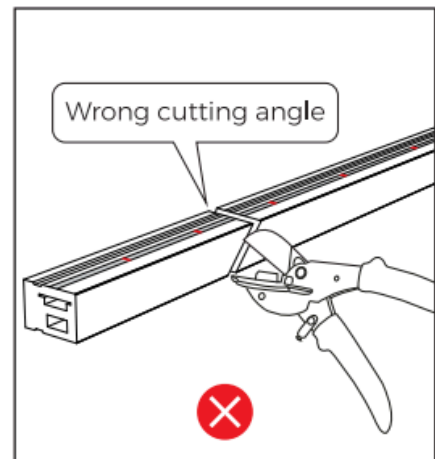
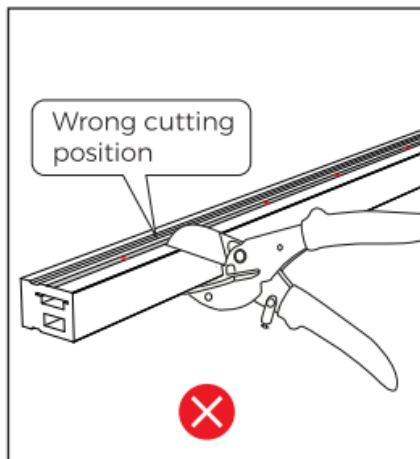
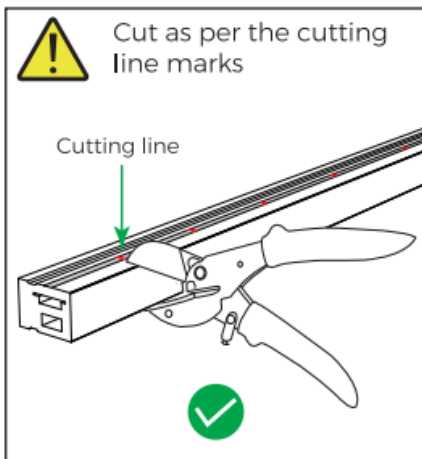
- LED Side Bend Tape
- Closed End Caps
- Silicone Glue

Important Safety Information:

The rated inputting voltage must be 12V DC. You should use a driver to convert the mains voltage to be 12V DC.

The luminaire shall under no circumstances be covered with insulating material. During normal use, the object lighted must not exceed a temperature of 95°C. Installation should be carried out by a qualified electrician. This product may contain substances that can be hazardous to the environment if not disposed of properly. Electrical and electronic equipment should never be disposed of with household waste.

Installation: Cut Marks



+44 (0) 1302 741941 | sales@tlwglobal.com | tlwglobal.com

TLW Global Brunel House, Brunel Close, Harworth, Doncaster, DN11 8QA

INSTALLATION GUIDE

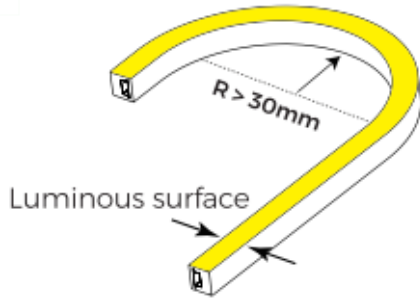
Product Name: GLEAM IP IP66 Recessed Side Bend LED Tape

Product Code: K30-1240* / K30-1245*

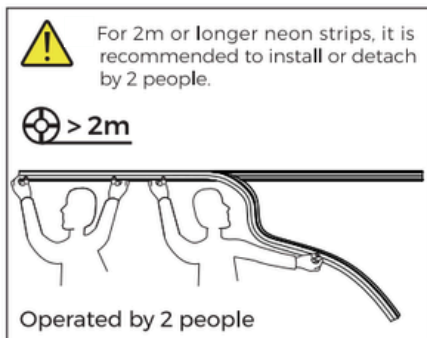
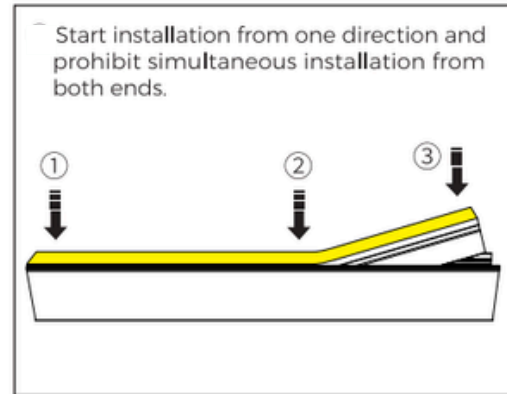
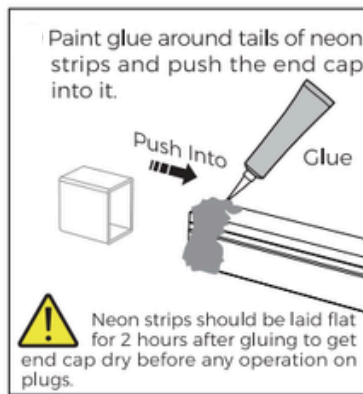
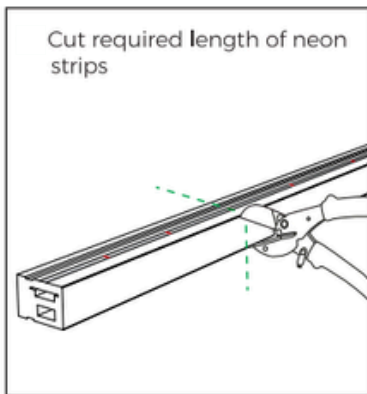
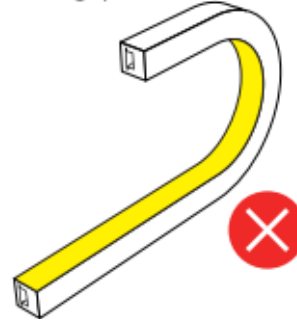


Installation:

Bending Direction & Min. radius



Top bending prohibited



Note:

1. Use tools to install or detach neon strips. Do not drag it by hands to prevent damage.
2. For 2m or longer neon strips, 2 people are required to install or detach.
3. Pay attention to positive and negative poles to avoid short circuit and light beads damage.



+44 (0) 1302 741941 | sales@tlwglobal.com | tlwglobal.com

TLW Global Brunel House, Brunel Close, Harworth, Doncaster, DN11 8QA