

INSTALLATION GUIDE

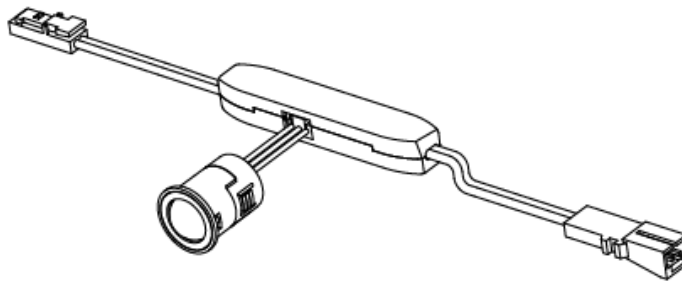


Product Name: WIRED DOOR / PIR / MOTION SENSOR

Product Code: N28-0021 / N28-0023 / N28-0024

Important Safety Information:

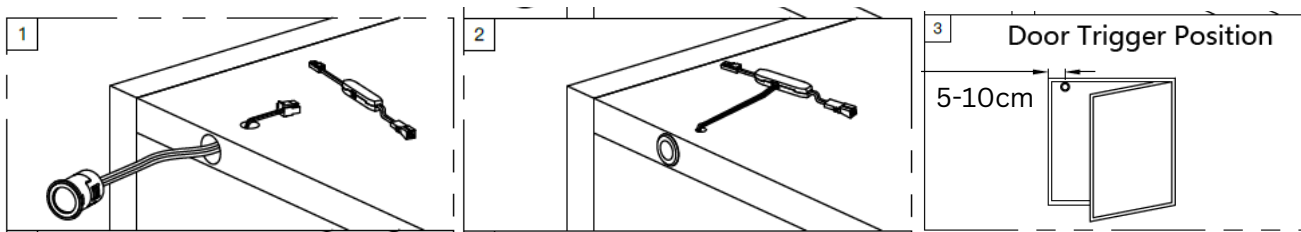
- Turn off and isolate the electrical supply before connecting this fitting to the building wires.
- Must be installed or connected by a licensed electrician.
- The luminaries are intended for indoor use only



| Product Code | Size | Cut Out | Sensing Distance |
|--------------|------------|------------|------------------|
| N28-0021 | Ø14 X 17mm | Ø12 X 16mm | 30-150mm |
| N28-0023 | Ø14 x 20mm | Ø12 x 16mm | 0-3m |
| N28-0024 | Ø14 x 17mm | Ø12 x 16mm | 0-80mm |

Recessed Installation: (Top Panel Drilling & Wiring)

- Drill a mounting hole (Ø12 mm × 16 mm deep) and a cable pass-through hole (Ø6 mm) in the top panel.
- Feed the power cable through the pass-through hole.
- Insert the switch into the mounting hole.
- Ensure the sensing area faces the desired direction.



+44 (0) 1302 741941 | sales@tlwglobal.com | tlwglobal.com

TLW Global Brunel House, Brunel Close, Harworth, Doncaster, DN11 8QA

INSTALLATION GUIDE

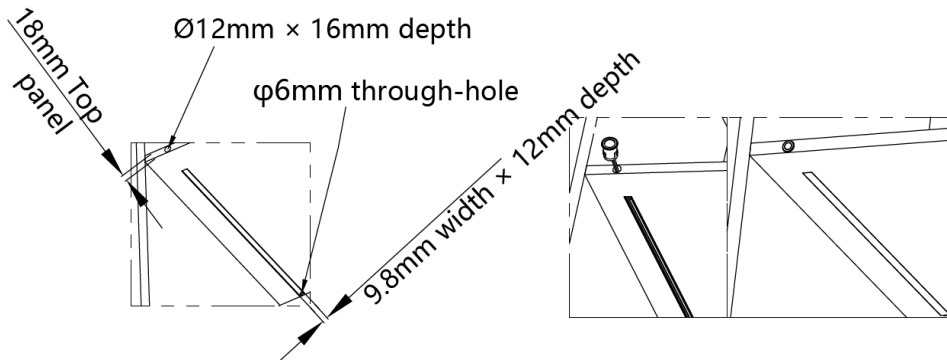


Product Name: WIRED DOOR / PIR / MOTION SENSOR

Product Code: N28-0021 / N28-0023 / N28-0024

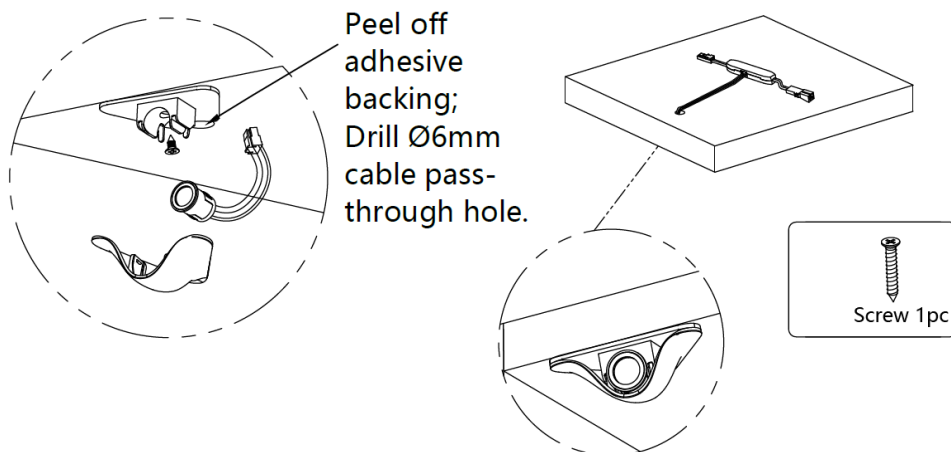
Recessed Installation: (Shelf Panel Channel Wiring)

- Drill a mounting hole (Ø12 mm × 16 mm deep) and drill a wiring channel (9.8 mm wide × 12 mm deep) along the shelf panel.
- Drill a cable pass-through hole (Ø6 mm) in the back panel.
- Secure the wiring channel base into the milled groove.
- Feed the power cable through the channel and into the pass-through hole.
- Insert the switch into the mounting hole and snap the cover plate into position



Surface Installation: (Top Panel Drilling & Wiring)

- Peel off the adhesive backing and attach the base plate to the top panel.
- Secure the base plate with one screw.
- Snap the switch body into the mounted base plate.
- Drill a Ø6 mm cable pass-through hole at the curved edge of the base plate.
- Feed the switch cables through this hole and snap the cover plate onto the base plate.



+44 (0) 1302 741941 | sales@tlwglobal.com | tlwglobal.com

TLW Global Brunel House, Brunel Close, Harworth, Doncaster, DN11 8QA

INSTALLATION GUIDE

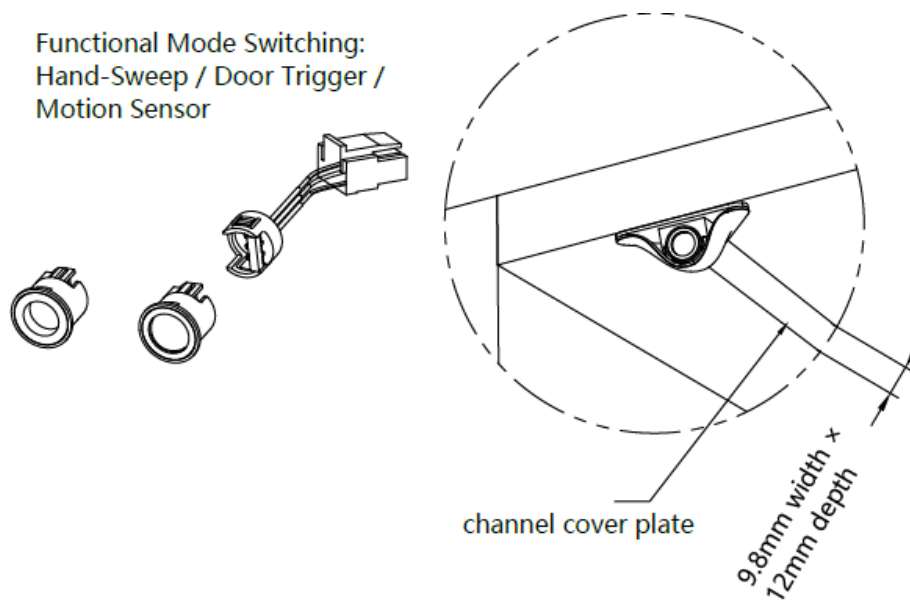


Product Name: WIRED DOOR / PIR / MOTION SENSOR

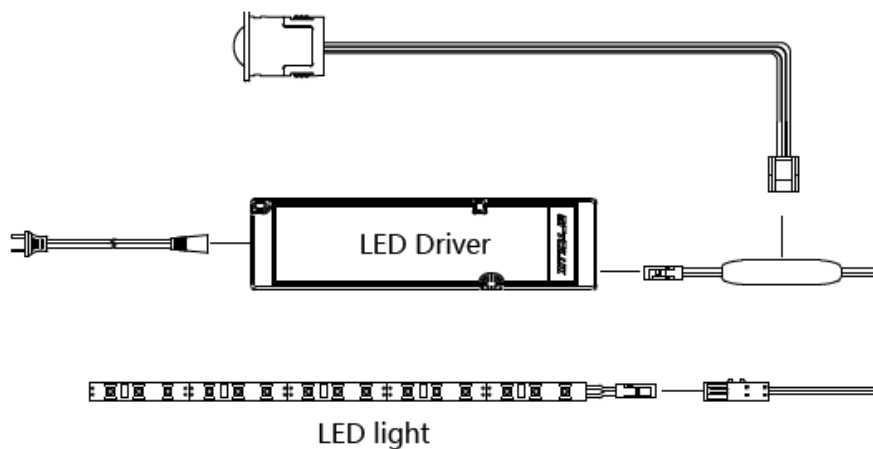
Product Code: N28-0021 / N28-0023 / N28-0024

Surface Installation: (Shelf Panel Channel Wiring)

- Drill a channel groove into the shelf panel.
- Cut the wiring channel base to the required length and secure it in the groove.
- Feed the sensor input and output cables through the channel to the pass-through hole at the back.
- Fix the sensor switch onto the surface.
- Snap the channel cover plate into place.



Connection Diagram:



+44 (0) 1302 741941 | sales@tlwglobal.com | tlwglobal.com

TLW Global Brunel House, Brunel Close, Harworth, Doncaster, DN11 8QA