

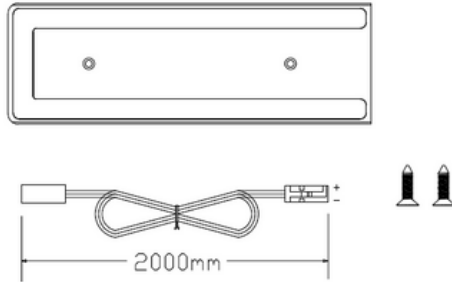
INSTALLATION GUIDE

Product Name: Pulsar Ultra Thin Cabinet Light



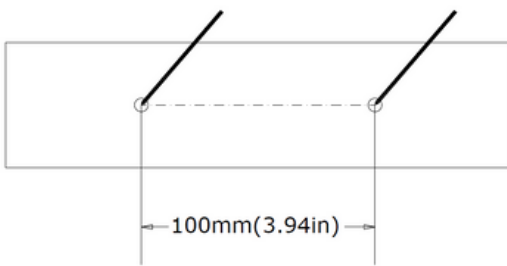
Product Code: K01-0272* (Available as a kit)

Included in pack: K01-0272*

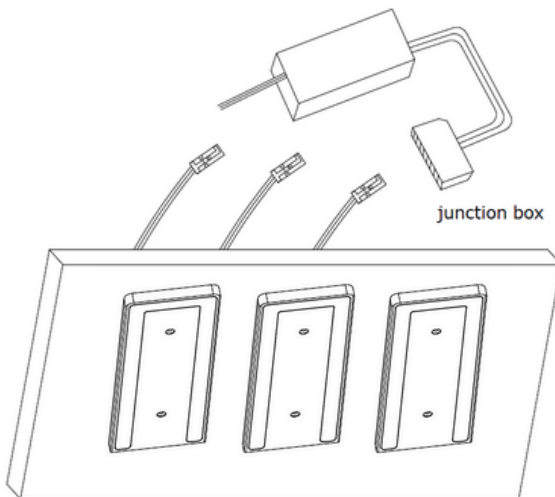
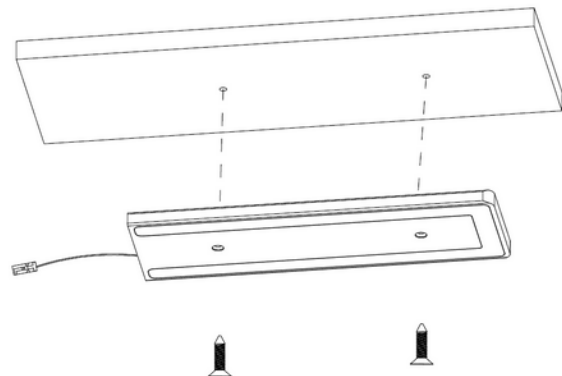


Installation: K01-0272 (without touch dimmer)

1. Mark & Drill holes 100mm apart



2. Mount fitting with screws provided



3. Mount the fitting and plug the micro plugs into the micro connector on the driver.

(Do not exceed maximum wattage of driver)

Important Safety Information:

The installation should be carried out by a qualified electrician in compliance with the current edition of the IEE wiring regulations.



+44 (0) 1302 741941 | sales@tlwglobal.com | tlwglobal.com

TLW Global Brunel House, Brunel Close, Harworth, Doncaster, DN11 8QA