

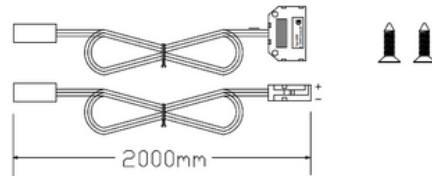
INSTALLATION GUIDE

Product Name: Pulsar Dim Ultra Thin Cabinet Light with Touch Dimmer



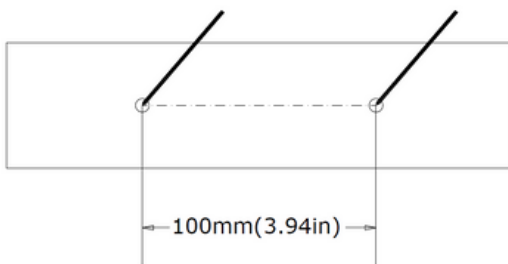
Product Code: K01-0273* (Available as a kit)

Included in kit: K01-0273*

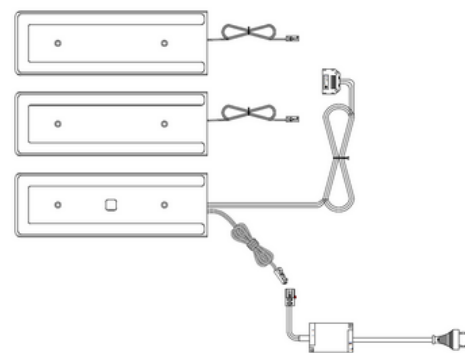
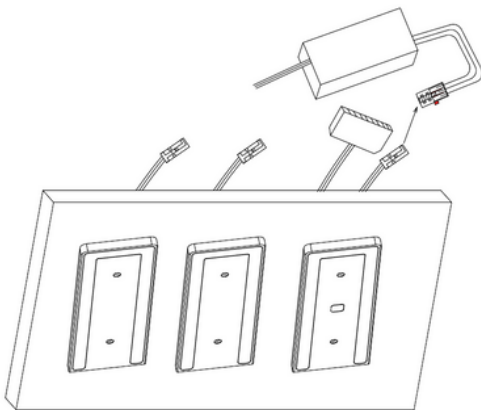
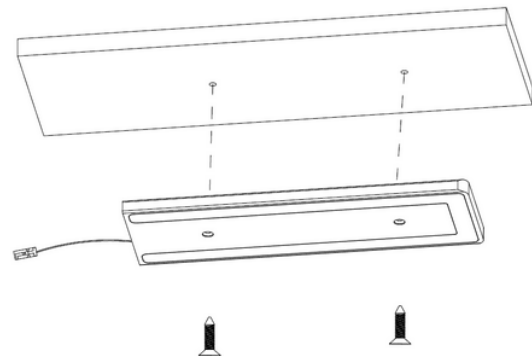


Installation: K01-0273 (with touch dimmer)

1. Mark & Drill holes 100mm apart



2. Mount fitting with screws provided



3. Mount all fittings. Plug the dimming fitting (K01-0273) into the driver micro connector block. Then plug all the remaining none dimming fittings (K01-0272) into the micro block attached to K01-0273.

(Do not exceed maximum wattage of driver)

Important Safety Information:

The installation should be carried out by a qualified electrician in compliance with the current edition of the IEE wiring regulations.



+44 (0) 1302 741941 | sales@tlwglobal.com | tlwglobal.com

TLW Global Brunel House, Brunel Close, Harworth, Doncaster, DN11 8QA